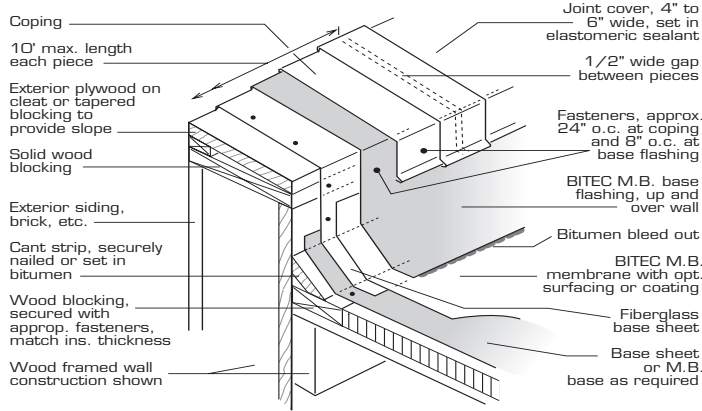


Compabase FS-2H-FR

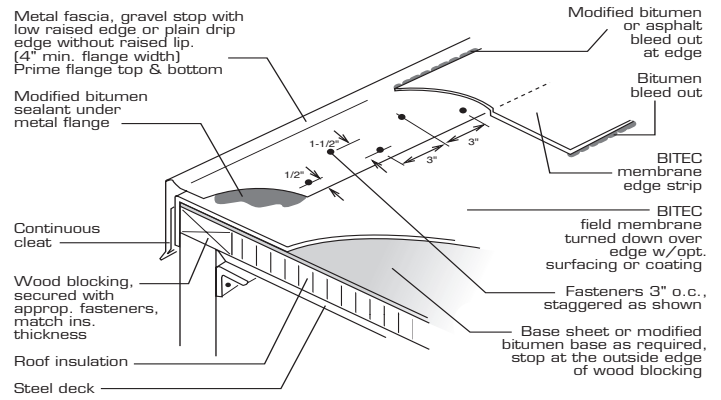
DETAILS



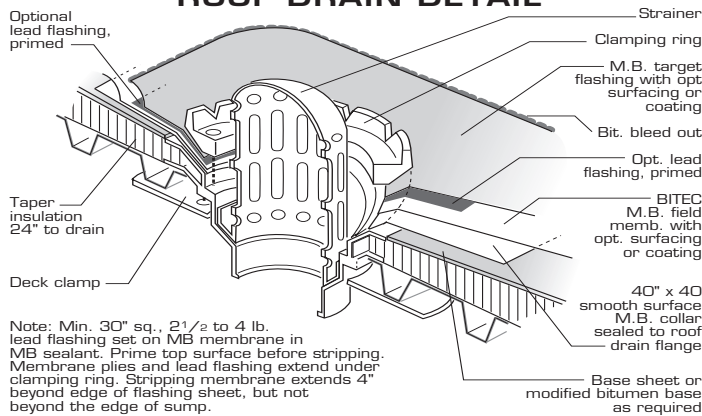
PARAPET WALL DETAIL



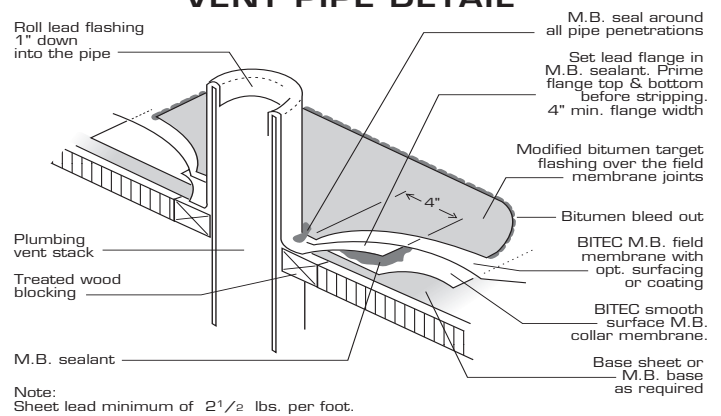
EDGE DETAIL



ROOF DRAIN DETAIL



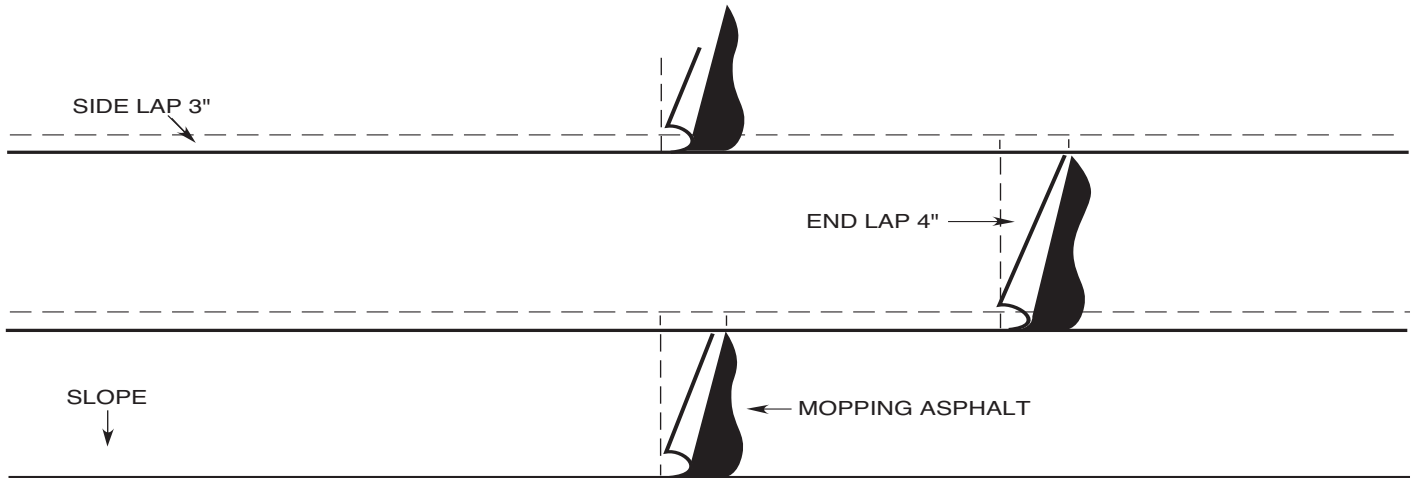
VENT PIPE DETAIL



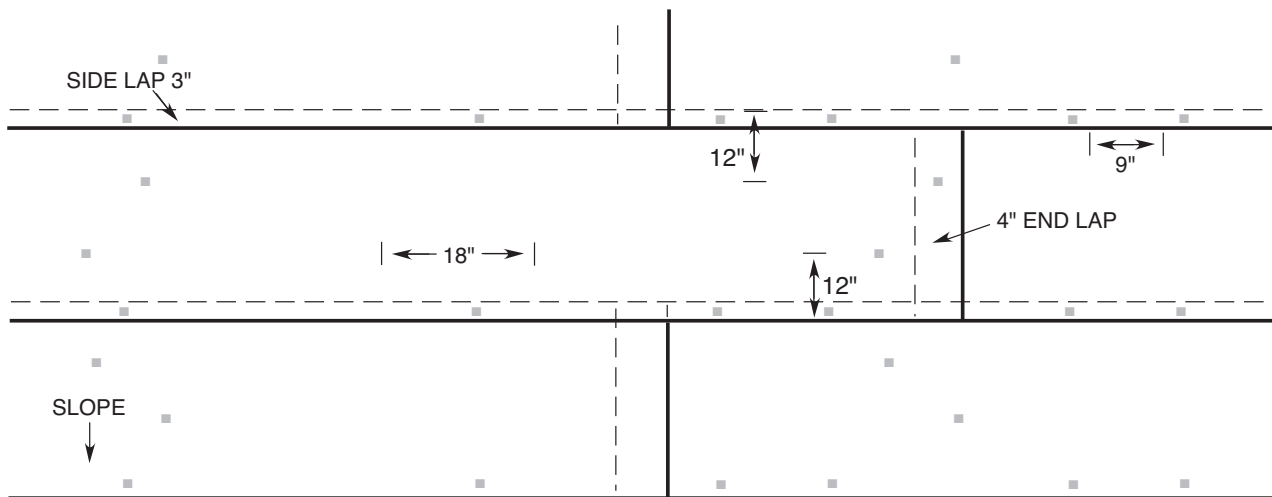
Bitec, Inc.
 P.O. Box 497
 No. 2 Industrial Park Dr.
 Morrilton, AR 72110
 Phone: 1-800-535-8597
 Fax: 501-354-3019
www.bi-tec.com

Compabase FS-2H-FR

DETAILS



- Basesheet shall be adhered in ASTM Type III or Type IV mopping asphalt
- Side laps shall be 3 inches minimum
- End laps shall be 4 inches minimum
- Mopping asphalt shall be applied at a rate of 25 pounds per 100 square feet
- End laps shall be offset a minimum of 3 feet



- Side laps shall be a minimum of 3 inches
- Mechanical fasteners 9 inches o.c. for side laps
- Field shall be attached by mechanically fastening 12 inches from edge, 18 inches o.c. staggered
- Consult fastener guide or FM publication in order to determine kind of fastener
- End laps shall be a minimum of 4 inches
- End laps shall be offset a minimum of 3 feet



Bitec, Inc.
P.O. Box 497
No. 2 Industrial Park Dr.
Morrilton, AR 72110
Phone: 1-800-535-8597
Fax: 501-354-3019
www.bi-tec.com