

Reflective roof coating that reduces roof degradation and increases the useful life of the roof

OVERVIEW

MAC-300 is a premium quality, high solids content, fibered asphalt-based aluminum roof coating that reduces roof degradation and increases the useful life of the roof. When installed according to specifications and installation guidelines, MAC-300 provides a bright finish with excellent coverage and UV protection.

MAC-300 is formulated using select oils, asphalt and resins. MAC-300 preserves and beautifies while providing a reflective shield over old and new roofs. MAC-300 meets or exceeds ASTM D 2824, Type III product standard specifications.

Additional product advantages include:

- UV rays are reflected by the coating's aluminum surface, reducing deterioration of the roof membrane
- Only the highest quality aluminum flake and more per gallon is used in MAC-300 as compared to competitive brands, providing unequalled reflectivity that lasts for years
- Two coats form a long lasting and sustainable shield that protects and preserves the roof system below.
- One gallon of MAC-300 coats the same area as three to four gallons of standard fibered aluminum roof coating; apply second coat perpendicular to the first

APPLICATION

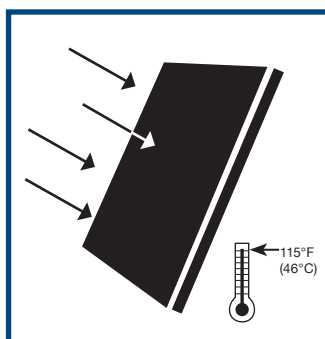
Before application of coating, ensure all surfaces receiving the coating are dry and free of oil, dust and debris. Roof surfaces that are old and dry shall be prepared using an asphalt primer applied at a rate of one gallon per roof square (1gal/100ft.²). Repair any splits, cracks or surface irregularities with PMA-2000™ and fiberglass mesh, where applicable. It is highly recommended this product be installed by a knowledgeable and experienced roofing contractor.

For APP smooth membranes; asphalt emulsion; bitumen mastic and adhesives, allow 30-45 days cure time before applying coating.

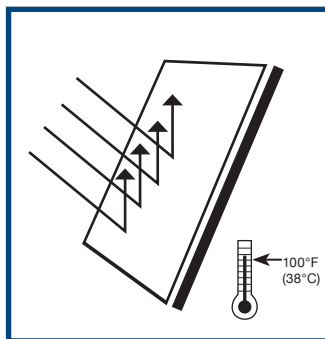
Allow 90 days cure time before applying coating over cold adhesive applied bituminous roof systems.

PRECAUTIONS

- Do not apply coating when outside temperatures are below 50°F (10°C)
- Do not apply if rain, dew or temperatures below 50°F (10°C) are forecasted 24 hours prior to scheduled application
- Do not overwork product during application; this may lead to an undesirable darkening or bronzing of the coating
- Material should be mixed prior to application; mix until the coating appears consistent



Expose a panel of black asphalt roofing to a radiant heat source. Place a thermometer on the opposite side and watch the temperature rise.



Then, expose a panel of the same roofing, painted with MAC-300, to the same heat source. A thermometer on the other side of the panel will show more than a 15-degree difference in temperature.

MAC-300™

PRODUCT INFORMATION



Technical Schedule	
NON-VOLATILE (ASTM D-6511)	60 min
DENSITY @ 77°F (25°C) (ASTM D-1475)	8.7 lb./gal (1.04 g/cm ³)
VISCOSITY @ 75°F (27°C) (ASTM D-6511) Krebs Stormer	100-125 KU
FLASH POINT (ASTM D-93)	100°F (38°C) min
TYPICAL DRYING TIME	Overnight
SERVICE TEMPERATURE (Extended Exposure)	-20°F to 180°F (-29°C to 82°C)
RESISTANCE TO UV LIGHT	Excellent
EFFECTS OF WEATHERING	Slow erosion
SHOWER RESISTANCE	Excellent
WET FILM THICKNESS @ 2 gal (7.6 l)	32 mils (812.8 microns)
VOC	480 g/l
POST-INDUSTRIAL RECYCLED CONTENT	3.34%
REFLECTANCE	.61 (initial) .55 (3-year aged)
EMITTANCE	.44 (initial) .44 (3-year aged)
SRI	.58 (initial) .48 (3-year aged)
COVERAGE	2 gal. per 100 ft. ² (.82 l/m ²)
PACKAGING	5 gallon pail (18.9 l)

All Information is given in good faith, but normal tolerances of manufacture and testing will apply. Bitec reserves the right to improve and change its products at any time without prior notice or advice. The use of Bitec products is determined by local conditions and individual requirements of each contract. In consideration of the many factors involved, Bitec cannot be held responsible for the application of its products and for conditions beyond its control. All claims filed against Bitec warranties will be subject to the provisions set forth at the date of warranty issuance, and any addendum thereto. Under no circumstances will Bitec be held liable for any damage, whether personal injury or property damage, which occur during or after the application of the membrane.

Distributed By:

Approvals:



Member of:



Bitec, Inc.
P.O. Box 497
No. 2 Industrial Park Dr.
Morrilton, AR 72110
Phone: 1-800-535-8597
Fax: 501-354-3019
www.bi-tec.com