

ISA-4T

PRODUCT INFORMATION



Industry standard APP modified bitumen cap sheet

OVERVIEW

Bitec ISA-4T is a value-added product manufactured to meet the typical industry standard of competitive membranes for an APP smooth membrane.

Bitec ISA-4T is made from high-quality polymers blended with distilled bitumen. ISA-4T is a smooth surfaced membrane reinforced with a non-woven polyester mat. ISA-4T is installed by heat welding to a suitable prepared surface with a roofer's torch.

This membrane is recommended for use over most substrates having minimal movement and should be installed in accordance to good roofing standards. It is recommended, but not required, that a roof coating be applied to the membrane surface.

ISA-4T

PRODUCT INFORMATION



Technical Schedule	
MODIFIER	APP
REINFORCEMENT	polyester mat
THICKNESS	4 mm nominal
TOP SURFACING	Talc
BOTTOM SURFACING	Burn-off film
SELVEDGE EDGE	3 inches
APPROXIMATE ROLL SIZE	1 square (9.9m ²)
METHOD OF INSTALLATION	Heat welding
TENSILE STRENGTH (ASTM D-2523)	MD = 100 lbf/in XMD = 70 lbf/in
ELONGATION (ASTM D2523)	MD = 50% XMD = 50%

ISA-4T qualifies for a 10-year limited material warranty only.

All Information is given in good faith, but normal tolerances of manufacture and testing will apply. Bitec reserves the right to improve and change its products at any time without prior notice or advice. The use of Bitec products is determined by local conditions and individual requirements of each contract. In consideration of the many factors involved, Bitec cannot be held responsible for the application of its products and for conditions beyond its control. All claims filed against Bitec warranties will be subject to the provisions set forth at the date of warranty issuance, and any addendum thereto. Under no circumstances will Bitec be held liable for any damage, whether personal injury or property damage, which occur during or after the application of the membrane.

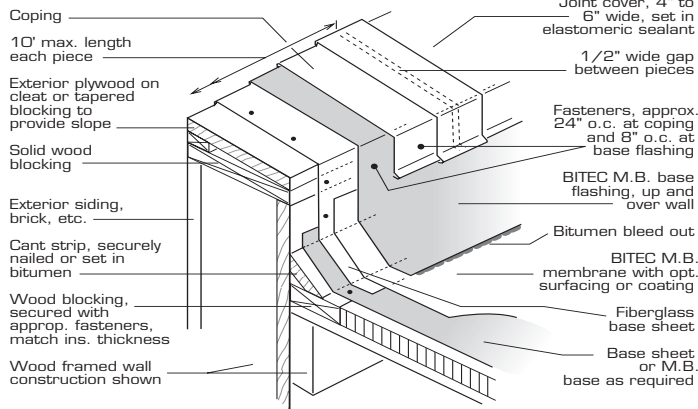
Distributed By:

Member of:

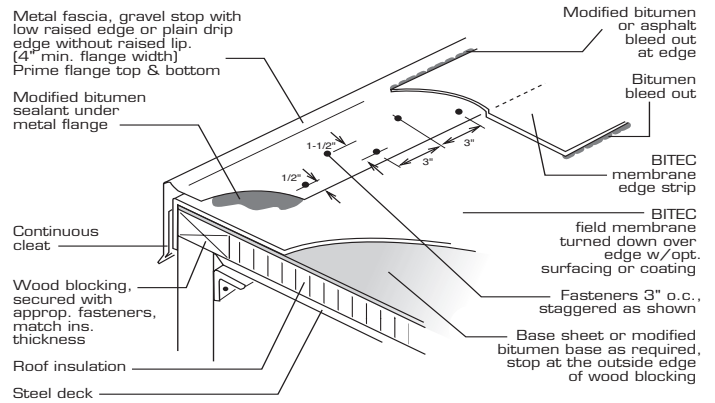


Bitec, Inc.
P.O. Box 497
No. 2 Industrial Park Dr.
Morrilton, AR 72110
Phone: 1-800-535-8597
Fax: 501-354-3019
www.bi-tec.com

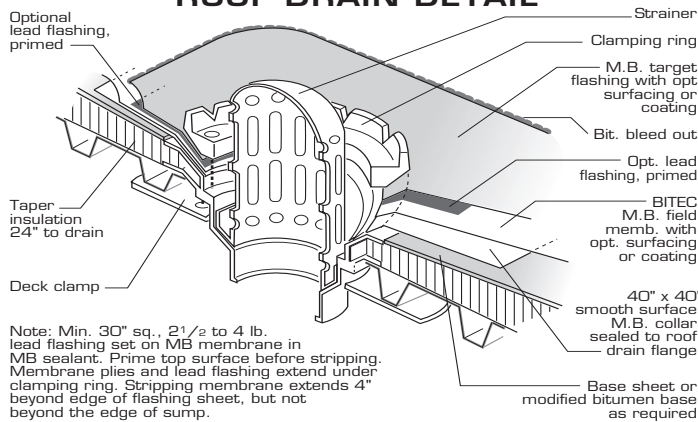
PARAPET WALL DETAIL



EDGE DETAIL



ROOF DRAIN DETAIL



VENT PIPE DETAIL

