

# Compabase FS-2H

## PRODUCT INFORMATION



**SBS modified bitumen base sheet with excellent weatherability, enhancing flexibility and fatigue resistance of hot-applied systems**

### OVERVIEW

Compabase FS-2H is an SBS modified bitumen base sheet with excellent weatherability, which enhances the overall flexibility and fatigue resistance of hot-applied systems. It is compatible with any of Bitec's SBS modified bitumen membranes. Compabase FS-2H is composed of select distilled bitumen and SBS and reinforced with a high strength fiberglass mat. Compabase FS-2H will eliminate the concerns of compatibility and performance between SBS cap sheets bonded to oxidized bitumen base sheets by heat welding.

Compabase FS-2H also eliminates the concern that the oxidized bitumen component of the roof system is the "weak link" in performance. Oxidized bitumen base sheets are not modified with SBS polymer. These base sheets are hard, brittle and have poor flexibility at lower temperatures in comparison to modified bitumen base sheets. Oxidized bitumen does not blend well with SBS polymer.

Compabase FS-2H, when used in conjunction with any Bitec SBS modified bitumen membrane, provides a high-performance waterproofing system. Bitec's Compabase FS-2H, used in lieu of oxidized bitumen base sheets, and applied with modified SBS cap sheets, provides the waterproofing redundancy necessary for long-term watertight performance.

Advantages of using Compabase FS-2H include:

- System compatibility
- Two-ply modified bitumen system
- Excellent flexibility
- Excellent weatherability
- Easy to apply
- Good dimensional stability
- Enhances modified bitumen system performance
- Keeps your Bitec modified bitumen membrane system in total performance

### PACKAGING

Compabase FS-2H is shipped in palletized, shrink wrapped units of 24 rolls per unit.

### APPLICATION

Compabase FS-2H is applied using ASTM TYPE III or TYPE IV roofing asphalt or by mechanical attachment. Compabase FS-2H shall be installed having 3" and 4" minimum side and end laps, respectively. Compabase FS-2H may be installed using Bitec-approved elastomeric adhesives. (Projects requiring labor and material warranty must have prior approval from Bitec's manager of technical services if elastomeric adhesives are to be used.)

### STORAGE

Rolls should be stored under cover away from direct exposure to the elements until immediately before use. If it becomes necessary to store material on the job site or roof deck, units should be covered with an opaque tarpaulin or similar cover. (Clear or black protective coverings are not acceptable.) Units should also be elevated from the roof deck by placement upon a pallet. If possible, material should be stored away from direct sunlight during storage at the job site. Do not stack units two or more high.

### SAFETY

#### Contractor

It is the contractor's responsibility to observe all fire prevention policies and practices, to train, instruct and warn employees on the use of torching equipment. Follow OSHA and NRCA provisions for fire protection, including but not limited to those listed in OSHA 1910.151, 155, 156, 157, and 1910.1101, which apply to torch application. The contractor should be familiar with NFPA 58 "Standard for the Storage and Handling of Liquefied Petroleum Gas" and any other appropriate publications of the National LP Gas Association.

#### Fire Department Regulations

The contractor should be familiar with all local fire codes in his area. The contractor is responsible for obtaining all necessary permits or certificates before any work is started.

#### Personnel

Proper clothing should be worn at all times while installing any modified membrane. Long sleeve shirt, long pants, leather or durable flat-soled shoes and work gloves. Workmen, other than the torch operator, should be no closer than 3' from open flame.

**NOTE:** The roofing contractor and his employees are the key to success regarding safety. Safety should always be first!

# Compabase FS-2H

## PRODUCT INFORMATION



FS-2H rolls are 3.2' wide and 49.2' long.

Technical Schedule	
MODIFIER	SBS
APPROX. ROLL SIZE	49.2 ft. x 3.28 ft.
SEAM WIDTH	3"
APPROX. COVERAGE	150 ft. <sup>2</sup>
TOP SURFACE	slag
BOTTOM SURFACE	slag
NOMINAL THICKNESS	2 mm
NOMINAL WEIGHT	70 lbs.
REINFORCEMENT	fiberglass mat
LOW TEMPERATURE FLEXIBILITY (ASTM D-5147)	passed -30°F (-34.4°C)
TEAR STRENGTH @ 73.4°F (23°C) (ASTM D-4073)	MD = 97 lbf/in XMD = 82 lbf/in
SOFTENING POINT (ASTM D-36)	240°F (116°C)
TENSILE STRENGTH @ 73.4°F (23°C) (ASTM D-5147)	MD = 42 lbf/in XMD = 44 lbf/in
TENSILE STRENGTH @ 0°F (-17.7°C) (ASTM D-5147)	MD = 116 lbf/in XMD = 92 lbf/in
ELONGATION @ 73.4°F (23°C) (ASTM D-5147)	MD = 4% XMD = 4%
ELONGATION @ 0°F (-17.7°C) (ASTM D-5147)	MD = 4% XMD = 4%

All Information is given in good faith, but normal tolerances of manufacture and testing will apply. Bitec reserves the right to improve and change its products at any time without prior notice or advice. The use of Bitec products is determined by local conditions and individual requirements of each contract. In consideration of the many factors involved, Bitec cannot be held responsible for the application of its products and for conditions beyond its control. All claims filed against Bitec warranties will be subject to the provisions set forth at the date of warranty issuance, and any addendum thereto. Under no circumstances will Bitec be held liable for any damage, whether personal injury or property damage, which occur during or after the application of the membrane.

### Distributed By:

### Approvals:

### Member of:



TYPE G2 COATED  
BASE/PLY SHEET  
FOR ROOFING SYSTEMS  
AS TO EXTERNAL FIRE EXPOSURE  
78P3



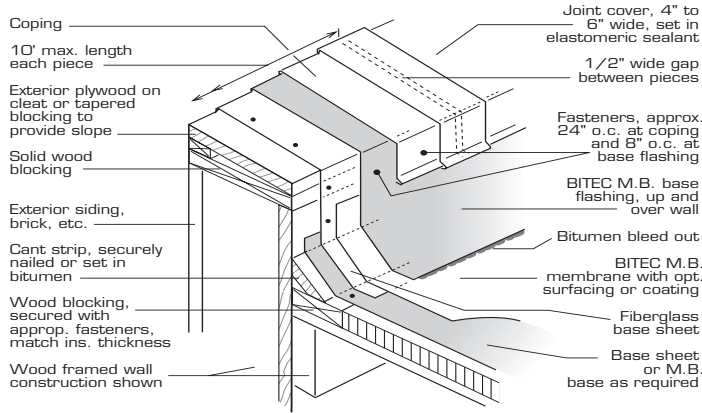
**Bitec, Inc.**  
P.O. Box 497  
No. 2 Industrial Park Dr.  
Morrilton, AR 72110  
Phone: 1-800-535-8597  
Fax: 501-354-3019  
[www.bi-tec.com](http://www.bi-tec.com)

# Compabase FS-2H

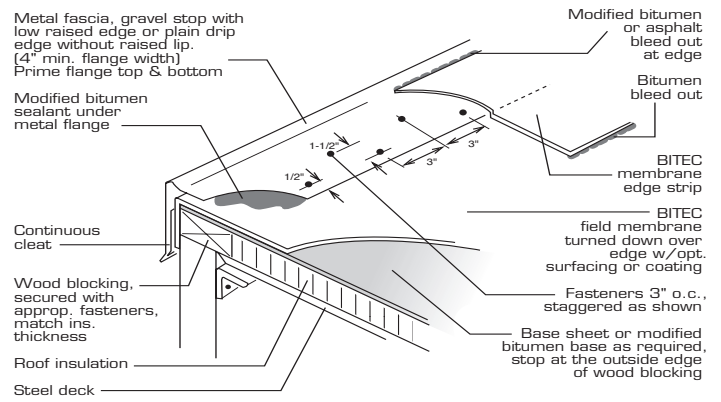
## DETAILS



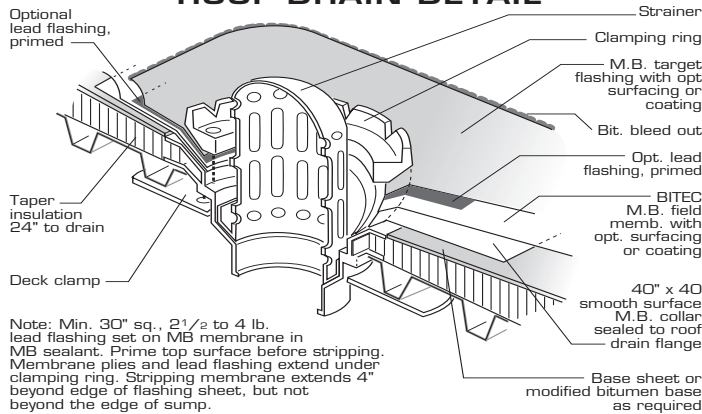
### PARAPET WALL DETAIL



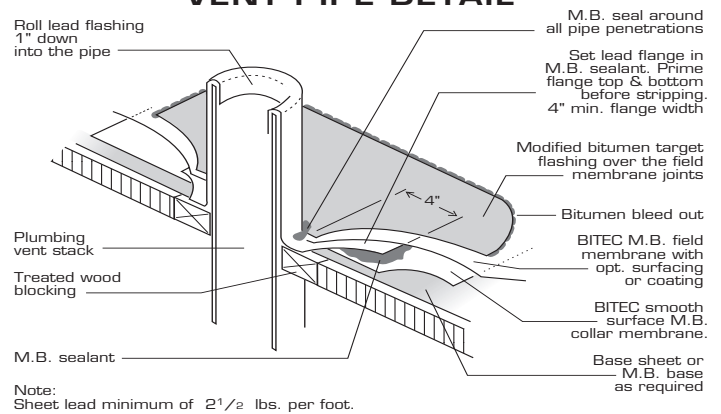
### EDGE DETAIL



### ROOF DRAIN DETAIL



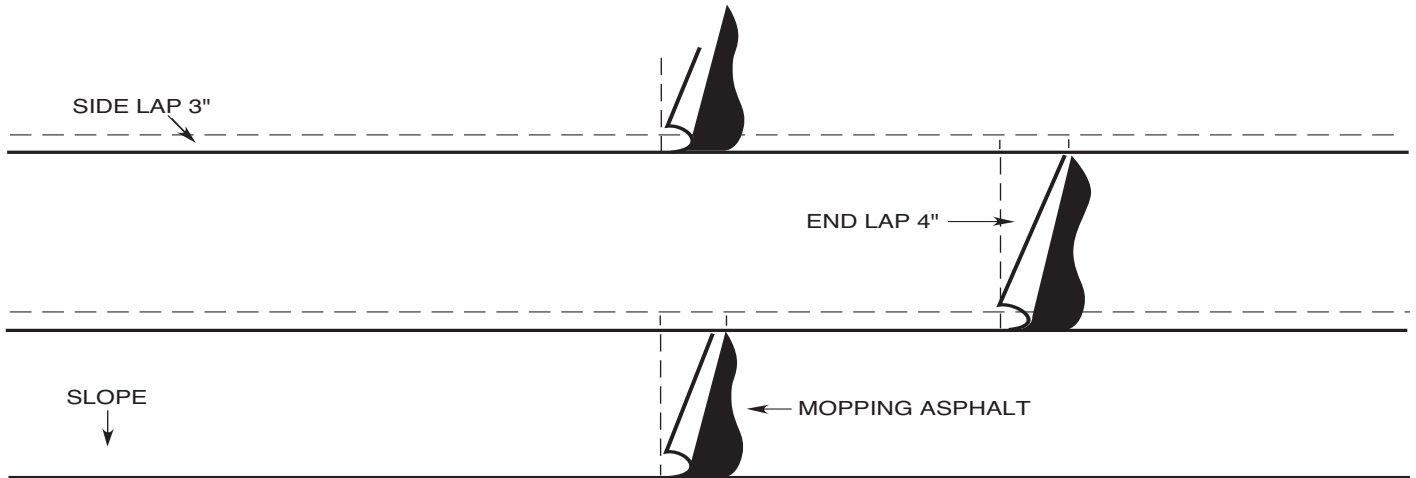
### VENT PIPE DETAIL



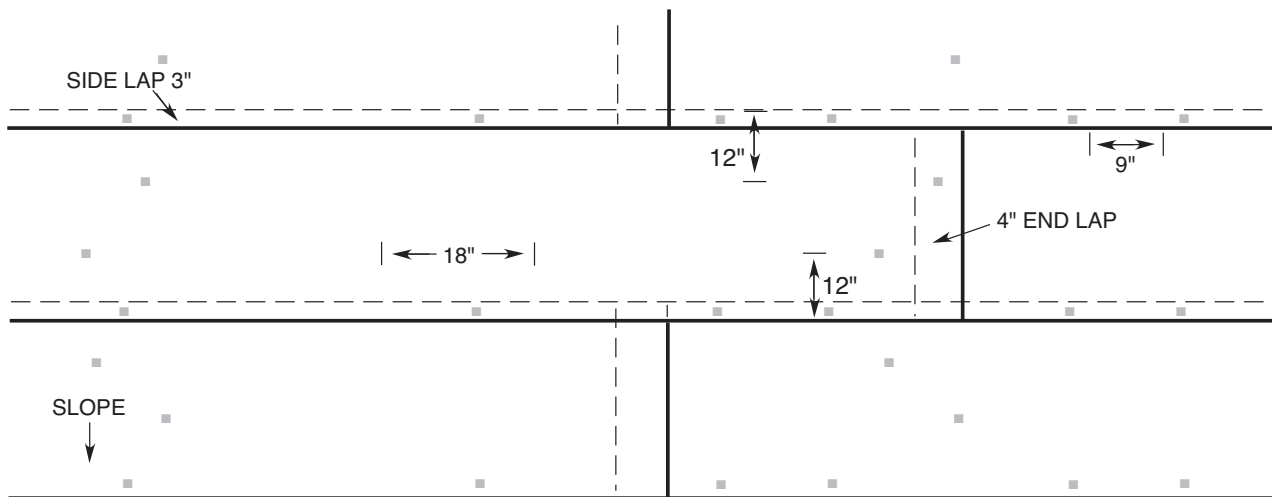
**Bitec, Inc.**  
 P.O. Box 497  
 No. 2 Industrial Park Dr.  
 Morrilton, AR 72110  
 Phone: 1-800-535-8597  
 Fax: 501-354-3019  
[www.bi-tec.com](http://www.bi-tec.com)

# Compabase FS-2H

## DETAILS



- Basesheet shall be adhered in ASTM Type III or Type IV mopping asphalt
- Side laps shall be 3 inches minimum
- End laps shall be 4 inches minimum
- Mopping asphalt shall be applied at a rate of 25 pounds per 100 square feet
- End laps shall be offset a minimum of 3 feet



- Side laps shall be a minimum of 3 inches
- Mechanical fasteners 9 inches o.c. for side laps
- Field shall be attached by mechanically fastening 12 inches from edge, 18 inches o.c. staggered
- Consult fastener guide or FM publication in order to determine kind of fastener
- End laps shall be a minimum of 4 inches
- End laps shall be offset a minimum of 3 feet



**Bitec, Inc.**  
P.O. Box 497  
No. 2 Industrial Park Dr.  
Morrilton, AR 72110  
Phone: 1-800-535-8597  
Fax: 501-354-3019  
[www.bi-tec.com](http://www.bi-tec.com)