

Compabase FA-2T

PRODUCT INFORMATION



Highly versatile, easy-to-apply base sheet compatible with any APP modified bitumen membrane

OVERVIEW

Compabase FA-2T modified bitumen base sheet is a highly versatile, easy-to-apply base sheet compatible with any APP modified bitumen membrane. It is composed of select atactic polypropylene resins blended with high-quality, distilled asphalts and reinforced with a fiberglass mat. FA-2T carries a UL Type G2 classification and can be used in any APP modified bitumen waterproofing system.

Compabase FA-2T may be either mechanically fastened or torch-applied to approved substrates. Bitec's Compabase FA-2T used in conjunction with Bitec APS-4T, APM-4T or APM-4.5T will not only enhance the overall modified bitumen membrane system, but will provide the cap sheet with a compatible base for attachment, lessening the probability of insufficient bonding. Compabase FA-2T provides the foundation for a high-performance waterproofing system.

Advantages of using Compabase FA-2T include:

- System compatibility
- Two-ply modified bitumen system
- Excellent flexibility
- Excellent weatherability
- Easy to apply
- Good dimensional stability
- Enhances modified bitumen system performance
- Keeps your Bitec modified bitumen membrane system in total performance

In certain instances, extended warranty periods can be offered up to 20 years when using Compabase FA-2T as the roofing system's base sheet with a Bitec APP cap sheet.

PACKAGING

Compabase FA-2T comes palletized, containing 24 rolls per palletized unit, shrink wrapped in a specially engineered polyethylene bag for durability in handling.

APPLICATION

Compabase FA-2T is applied by either heat welding or mechanically fastening to approved substrates. Compabase FA-2T shall be installed having 3" and 4" side and end laps, respectively.

Compabase FA-2T may be spot welded to certain substrates provided prior approval has been obtained from Bitec's manager of technical services.

STORAGE

Rolls should be stored under cover away from direct exposure to the elements until immediately before use. If it becomes necessary to store material on the job site or roof deck, units should be covered with an opaque tarpaulin or similar cover. (Clear or black protective coverings are not acceptable.)

Units should also be stored elevated from the roof deck by placement on a pallet. If possible, materials should be stored inside away from direct sunlight at the job site. Do not stack units more than two high.

SAFETY

Contractor

It is the contractor's responsibility to observe all fire prevention policies and practices, to train, instruct and warn employees on the use of torching equipment. Follow OSHA and NRCA provisions for fire protection, including but not limited to those listed in OSHA 1910.151, 155, 156, 157, and 1910.1101, which apply to torch application. The contractor should be familiar with NFPA 58 "Standard for the Storage and Handling of Liquefied Petroleum Gas" and any other appropriate publications of the National LP Gas Association.

Fire Department Regulations

The contractor should be familiar with all local fire codes in his area. The contractor is responsible for obtaining all necessary permits or certificates before any work is started.

Personnel

Proper clothing should be worn at all times while installing any modified membrane. Long sleeve shirt, long pants, leather or durable flat-soled shoes and work gloves. Workmen, other than the torch operator, should be no closer than 3' from open flame.

NOTE: The roofing contractor and his employees are the key to success regarding safety. Safety should always be first!

Compabase FA-2T

PRODUCT INFORMATION



FA-2T rolls are 3.2' wide and 49.2' long.

Technical Schedule	
MODIFIER	APP
APPROX. ROLL SIZE	49.2 ft. x 3.28 ft.
SEAM WIDTH	3"
APPROX. COVERAGE	150 ft. ²
TOP SURFACE	slag
BOTTOM SURFACE	film
NOMINAL THICKNESS	2 mm
NOMINAL WEIGHT	70 lbs.
REINFORCEMENT	fiberglass
LOW TEMPERATURE FLEXIBILITY (ASTM D-5147)	passed -25°F (-31.6°C)
TEAR STRENGTH @ 73.4°F (23°C) (ASTM D-4073)	MD = 106 lbf/in XMD = 88 lbf/in
SOFTENING POINT (ASTM D-36)	302°F (150°C)
TENSILE STRENGTH @ 73.4°F (23°C) (ASTM D-5147)	MD = 120 lbf/in XMD = 120 lbf/in
TENSILE STRENGTH @ 0°F (-17.7°C) (ASTM D-5147)	MD = 64 lbf/in XMD = 46 lbf/in
ELONGATION @ 73.4°F (23°C) (ASTM D-5147)	MD = 4% XMD = 4%
ELONGATION @ 0°F (-17.7°C) (ASTM D-5147)	MD = 4% XMD = 4%

All Information is given in good faith, but normal tolerances of manufacture and testing will apply. Bitec reserves the right to improve and change its products at any time without prior notice or advice. The use of Bitec products is determined by local conditions and individual requirements of each contract. In consideration of the many factors involved, Bitec cannot be held responsible for the application of its products and for conditions beyond its control. All claims filed against Bitec warranties will be subject to the provisions set forth at the date of warranty issuance, and any addendum thereto. Under no circumstances will Bitec be held liable for any damage, whether personal injury or property damage, which occur during or after the application of the membrane.

Distributed By:

Approvals:



TYPE G2 COATED
BASE/PLY SHEET
FOR ROOFING SYSTEMS
AS TO EXTERNAL FIRE EXPOSURE
78P3

Member of:



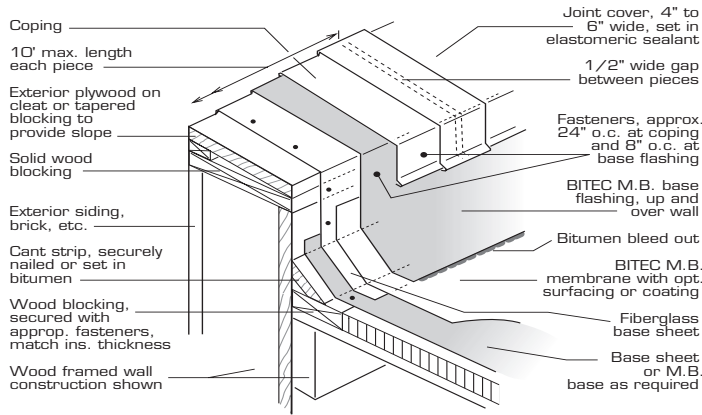
Bitec, Inc.
P.O. Box 497
No. 2 Industrial Park Dr.
Morrilton, AR 72110
Phone: 1-800-535-8597
Fax: 501-354-3019
www.bi-tec.com

Compabase FA-2T

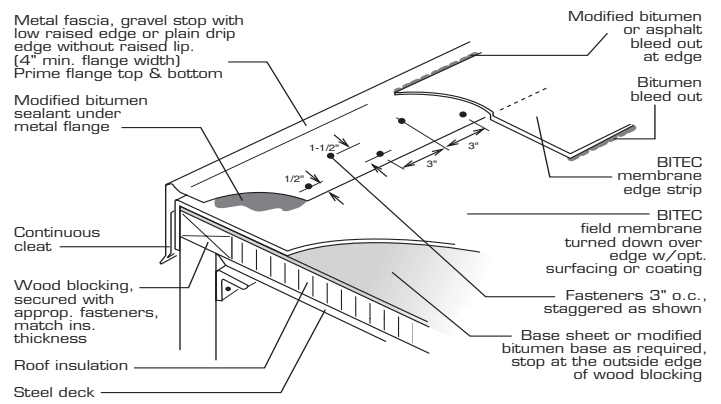
DETAILS



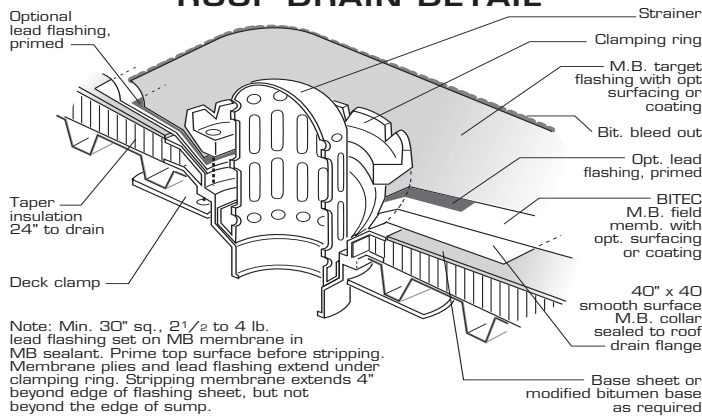
PARAPET WALL DETAIL



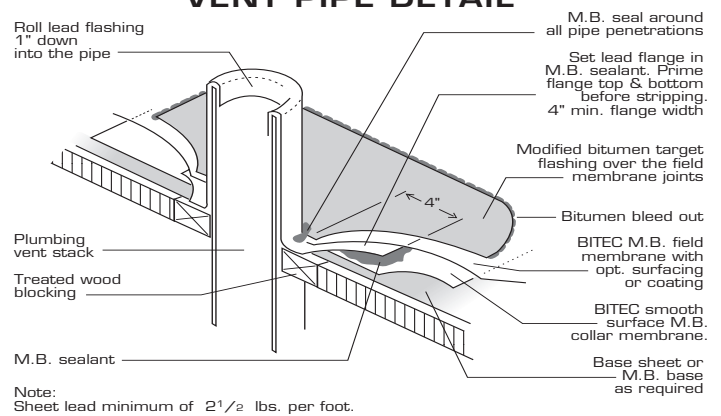
EDGE DETAIL



ROOF DRAIN DETAIL



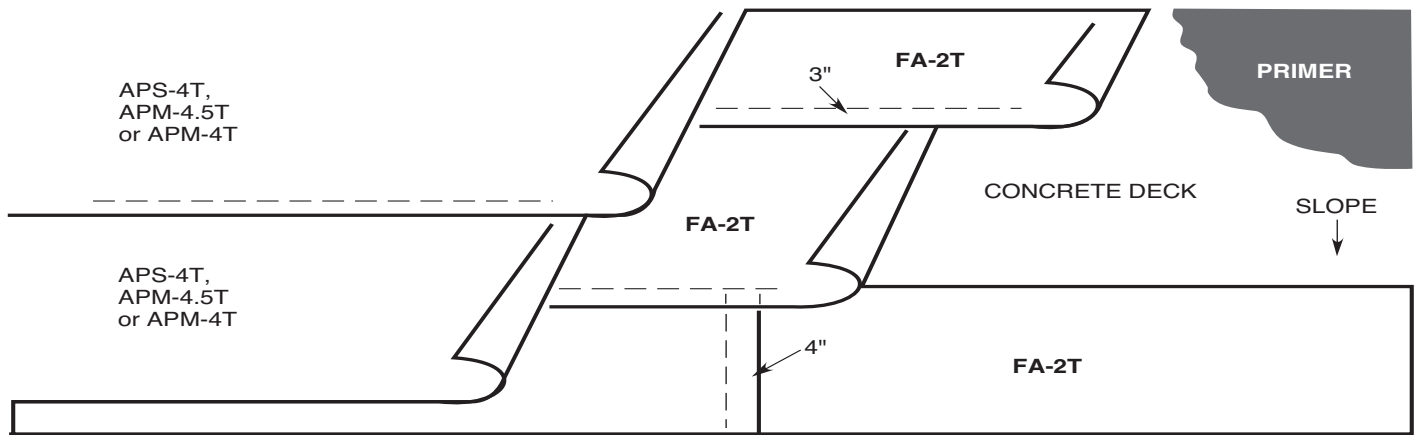
VENT PIPE DETAIL



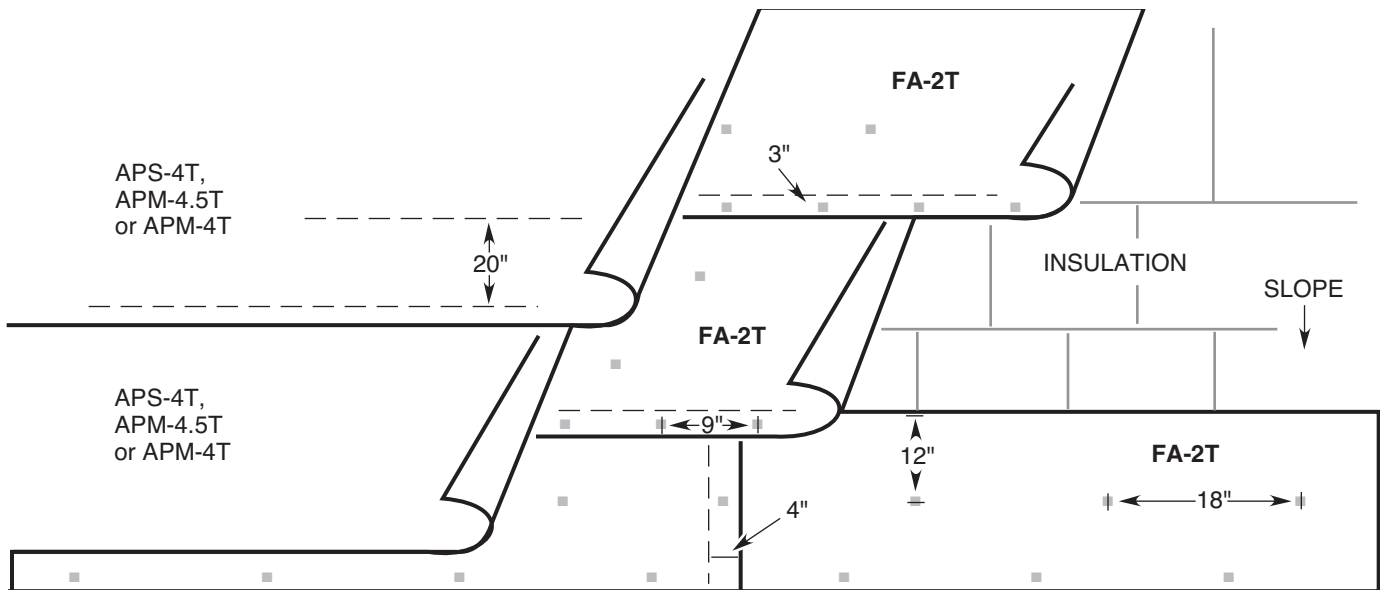
Bitec, Inc.
P.O. Box 497
No. 2 Industrial Park Dr.
Morrilton, AR 72110
Phone: 1-800-535-8597
Fax: 501-354-3019
www.bi-tec.com

Compabase FA-2T

DETAILS



- FA-2T may be torched directly to primed smooth BUR system or to primed structural concrete deck
- All end laps for APP cap sheet and FA-2T shall be staggered a minimum of 3'
- Side and end laps shall be 3" and 4" respectively
- APS-4T, APM-4.5T and APM-4T shall be installed by heat welding with seams offset 20" from installed FA-2T



- FA-2T can be nailed or mechanically fastened to all nailable substrates using approved fasteners
- Side and end laps shall be 3" and 4" respectively
- Field shall be fastened in 18 in. o.c. staggered, 12" in from side in two rows.
- APP cap sheet shall be offset by 20" in relation to FA-2T seam
- Side and end laps may be heat welded if desired
- If heat welded, side laps and end laps shall be 3" and 4" respectively
- End laps of both APP and FA-2T shall be staggered a minimum of 3'
- Side laps are to be fastened 9" o.c.



Bitec, Inc.
P.O. Box 497
No. 2 Industrial Park Dr.
Morrilton, AR 72110
Phone: 1-800-535-8597
Fax: 501-354-3019
www.bi-tec.com