

Compaflash

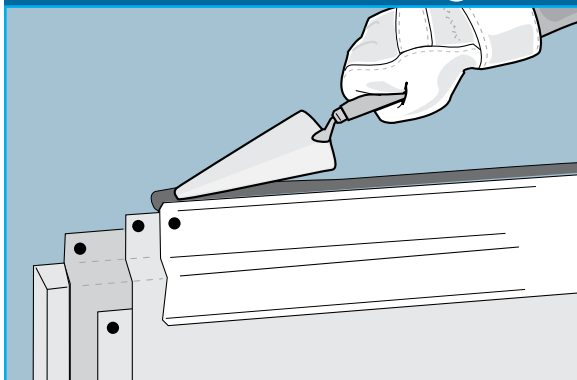


from **BITEC**
BITUMEN TECHNOLOGY™

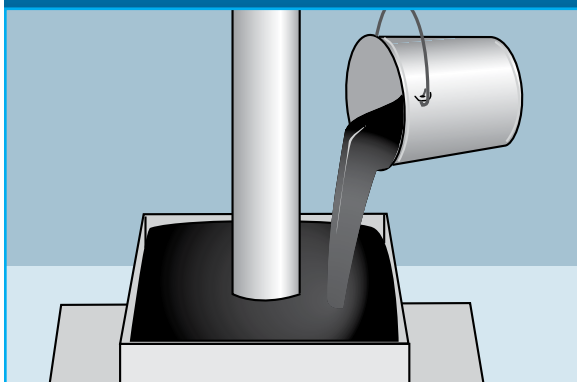


Easy to Use Flashing Compound

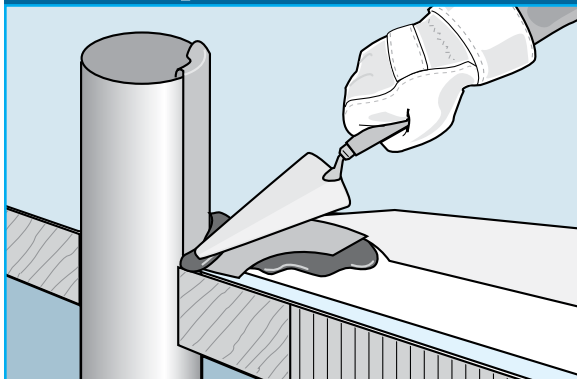
For Wall Flashings



For Pitch Pans



For Pipe Penetrations



COMPAFLASH Flashing tubes are an easy-to-handle solid tube of either APP or SBS modified bitumen compound; the same compound used in our cap and base sheets. The design allows you to heat and trowel additional modified bitumen compound in areas that are difficult to seal. This can be at flashing details, pitch pans and areas of repair.

COMPAFLASH APP and SBS tubes can be used with glass fabric and glass reinforced roofing membrane to make small repairs. It is not intended for use as a permanent remedy in this application, or as a substitute for reinforced modified bitumen membrane.

COMPAFLASH is:

- Very easy to use
- Applies quickly
- Speeds repair process
- Can be used on BUR, APP and SBS modified bitumen roofs

Simply peel the silicon release paper tube casing from the solid compound, heat and trowel in for additional modified compound at flashing details. When filling pitch pans, remove the silicon paper tube casing, melt sufficient quantity in a suitable metal container and pour into the pitch pan.



Easy to Use Flashing Compound

SAFETY PROCEDURES:

During application of COMPAFLASH it is essential that all safety procedures be followed. The use of a roofer's torch indicates a need to follow standard safety practices. Also, consideration should be given to molten asphalt. Molten asphalt and molten modified bitumen compounds can cause severe burns. For personal and property protection, make sure the area being covered has a suitable base or has been sealed properly to prevent seepage or spillage.

CLOTHING:

Long sleeve shirt, long pants, durable work shoes, non-combustible work gloves and safety glasses should be worn at all times when using this product.

FIRE PREVENTION:

The roofing contractor must be aware of all local fire codes, and instruct personnel on the proper use of propane fired roofing equipment and the proper methods of installing COMPAFLASH. Never use this product without taking the necessary precautions to prevent fire. A UL Listed G2 fiberglass base sheet must be installed over all surfaces to receive the modified bitumen membrane. All cant strips must be of a non-combustible variety, and be covered by a fiberglass reinforced UL Listed G2 base sheet. Under no circumstance direct the torch flame into roof openings of any type. These precautions include, but are not limited to:

- At least one ABC dry fire extinguisher shall be on the roof for each torch in use. Never set the fire extinguisher next to a torch or propane bottle. If the torch or propane bottle catches fire, you may not be able to access the extinguisher.
- Never leave an ignited torch unattended.
- Always keep in mind that molten asphalt will burn. Wear the necessary clothing and personal protective equipment at all times.
- Train all personnel in the proper use of fire protection equipment.
- Take the necessary precautions when working around combustibles and roof openings.
- Be aware of all local fire codes, and obtain the necessary permits before project commencement.
- Comply with all codes and applicable fire regulations and regulations governing the storage and use of propane.



Visit our web site at www.bi-tec.com

P.O. Box 497 • #2 Industrial Park Dr. • Morrilton, AR 72110

Fax (501) 354-3019 • Phone 1-800-535-8597

**Manufacturers of Advanced
Technology Waterproofing Membranes**